



Mathletics

NAPLAN Year 5 Numeracy Test 2



A 3P Learning product

Year 5 Numeracy Practice Test 2

Student details

First name _____

Last name _____

Class _____ Date _____

Test instructions

You have 50 minutes to complete this test.

You are **NOT allowed** to use a calculator.

You should use a pencil to write your answers or shade in the bubble.

If you make a mistake, rub it out thoroughly.

Revised 2014 edition, all rights reserved. The following test has been designed by 3P Learning to prepare students for the National Assessment Program Numeracy Test. This test is to be used for revision purposes only. 3P Learning does not guarantee that the format of this test is the same as an actual test.

Year 5 Numeracy Practice Test 2

1 You have 20 matchsticks. You need to make a cube.

How many matchsticks should you have left over?

- 2 8 12 18

Shade one bubble.

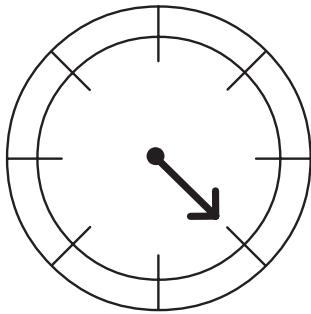


2 $54 + 27 =$

Write your answer in the box.



3 In which direction is the compass needle pointing?



- north-east
 north-west
 south-east
 south-west

Shade one bubble.



4 Tyler had four apples. She cut each apple in quarters.

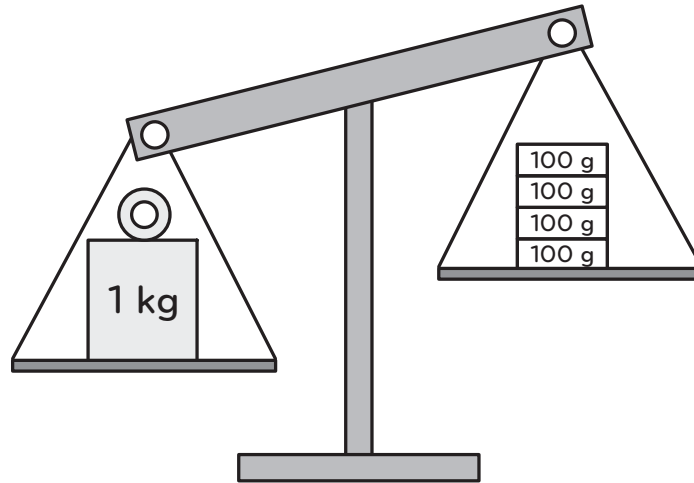


How many quarters did she have in total?

- 4 8 12 16

Year 5 Numeracy Practice Test 2

5 Penny wanted to balance these scales.



How many more 100 grams blocks will Penny need to balance her scales?

- 4 6 100 10
-

Shade one bubble.



6 This is Mia's number sentence.

$$7 \times \triangle = 63$$

What is the missing number?

Write your answer in the box.



7 A square has sides 6 cm long.

The perimeter of the square is:

 cm

Write your answer in the box.



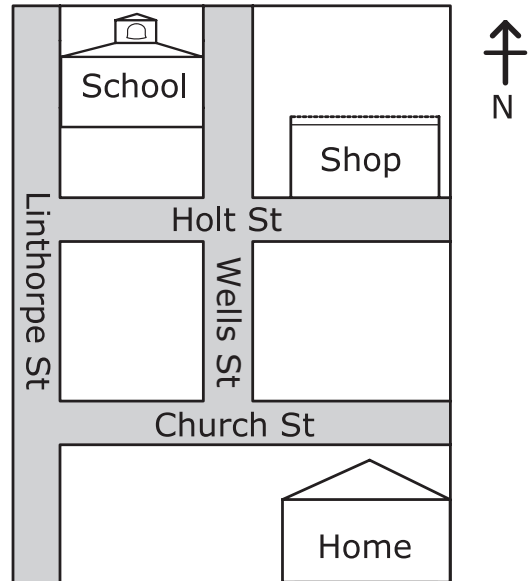
Year 5 Numeracy Practice Test 2

8 Max walks the shortest way by road from his home to school.

Which directions does he walk?

- east then north
- west then north
- east then south
- west then south

Shade one bubble.



9 Mike is saving to buy a new television that costs \$460. He has already saved \$80.

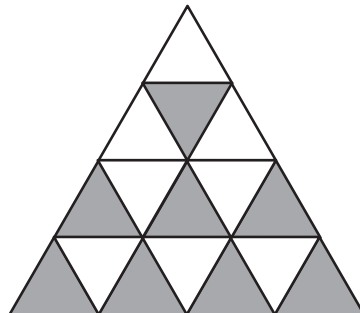
How much more money does Mike need to buy the television?

- \$540
- \$460
- \$368
- \$380

Shade one bubble.



10 What fraction of the shape is shaded?



- $\frac{3}{8}$
- $\frac{7}{16}$
- $\frac{1}{2}$
- $\frac{5}{16}$

Shade one bubble.



Year 5 Numeracy Practice Test 2

11 In March this year Lachlan was 8 years old and Jacob was 12.

Which of the following cannot be true in March next year?

- Jacob will be 13 years old.
- Jacob will be younger than Lachlan.
- Lachlan will be 4 years younger than Tim.
- Lachlan will be older than he is now.

Shade one bubble.



12 Tina got on the train at 1:12 pm and got off it at 2:44 pm.

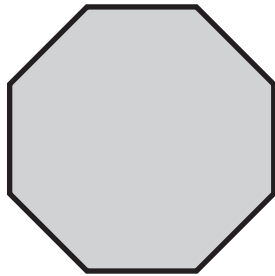
She was on the train for:

minutes

Write your answer in the box.



13 This shape is:



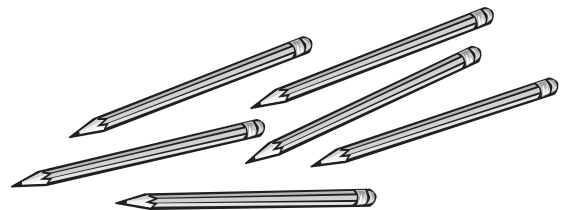
- an octagon
- a hexagon
- a pentagon
- a parallelogram

Shade one bubble.



14 Nicola buys a box of 6 pencils for \$4.80.

What is the cost of each pencil?



\$0.60

\$0.40

\$0.80

\$1.20

Shade one bubble.



Year 5 Numeracy Practice Test 2

- 15 Ali needs 80 candles for his grandmother's birthday cake.

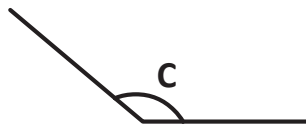
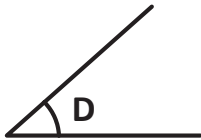
The candles are sold in packets of 12.

What is the least number of packets that Ali needs to buy?

Write your answer in the box.



- 16 Write the letters A, B, C, D to order these marked angles from smallest to largest.

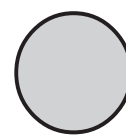
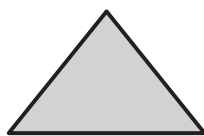
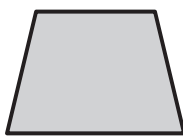


--	--	--	--

Write your answer in the box.



- 17 Which one of these shapes has exactly two lines of symmetry?



Shade one bubble.



18 $0.8 + 0.9 =$

1.17



0.70



1.7



2.7



Shade one bubble.



Year 5 Numeracy Practice Test 2

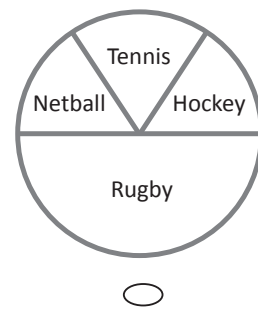
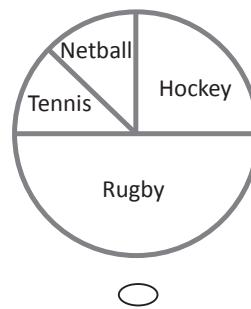
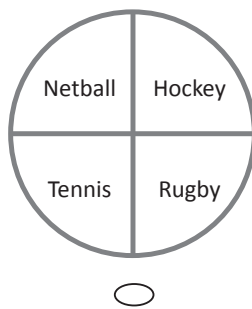
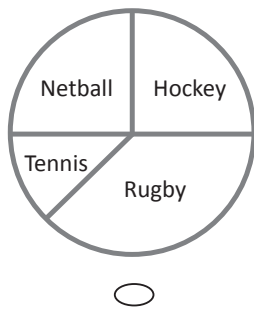
19 Thirty-two students in Year 5 chose their favourite sport.

The results are shown in the table below:

Favourite Sport	Number of Students
Netball	4
Tennis	4
Rugby	16
Hockey	8

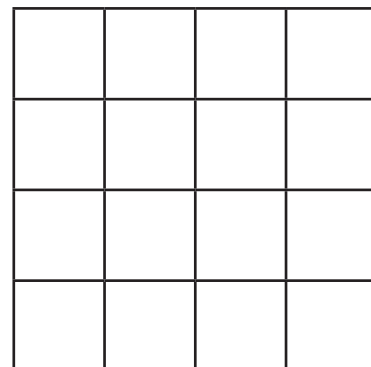
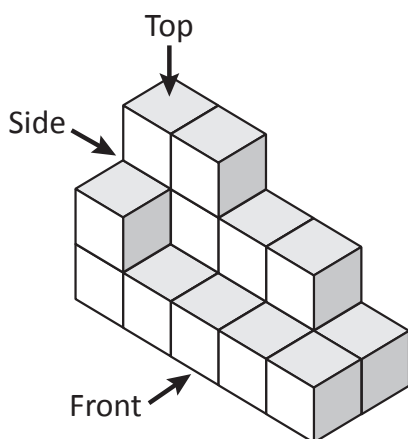
Which pie graph shows the results?

Write your answer in the box.



20 Look at this solid model.

Draw the side view of this model on the grid below:

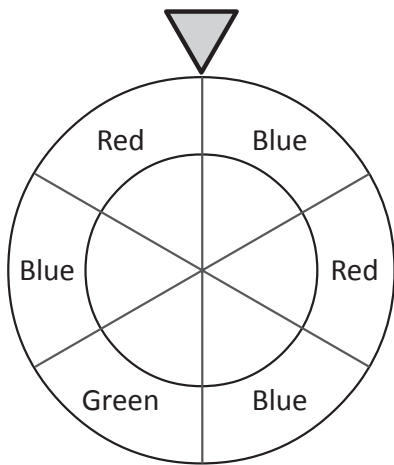


Shade the grid.



Year 5 Numeracy Practice Test 2

21 Sam made this spinner for a board game.



Which colour is the arrow most likely to land on?

Green



Red

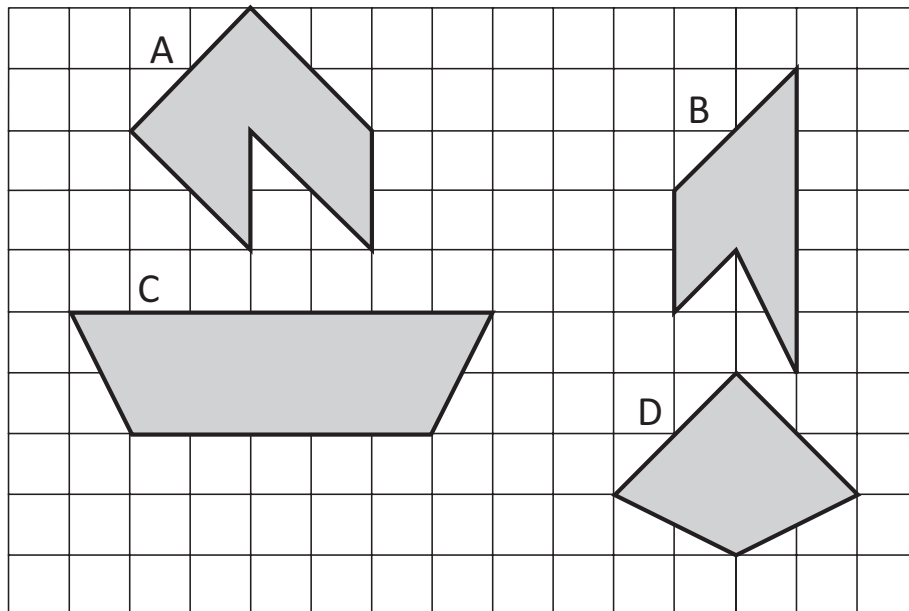


Blue



Shade one bubble.

22



Which shape has the smallest area?

A



B



C



D



Shade one bubble.

Year 5 Numeracy Practice Test 2

23 Which list contains only factors of 24?

- 3, 4, 6, 2, 9
- 3, 6, 8, 12
- 3, 6, 9, 2
- 3, 4, 6, 8, 10

Shade one bubble.



24 What is the next number in this sequence?

$2, 2\frac{3}{4}, 3\frac{1}{2}, \dots$

$3\frac{3}{4}$

4

$4\frac{1}{2}$

$4\frac{1}{4}$

Shade one bubble.



14 cm



3 cm

25 What is the perimeter of the rectangle?

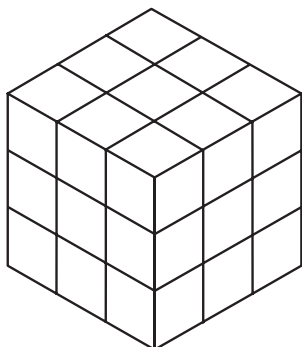


cm

Write your answer in the box.



26 How many small cubes are used to make this large cube?



- 27
- 19
- 54
- 36

Shade one bubble.



Year 5 Numeracy Practice Test 2

27 Sally has 6 lollies. Victor has 10 lollies.

Which of the following would result in both children having the same number of lollies?

- Sally gives Victor 2 of her lollies.
- Victor gives Sally 2 of his lollies.
- Sally gives Victor 4 of her lollies.
- Victor gives Sally 4 of his lollies.

Shade one bubble.



28 $24 \times 12 =$

288



208



296



286



Shade one bubble.

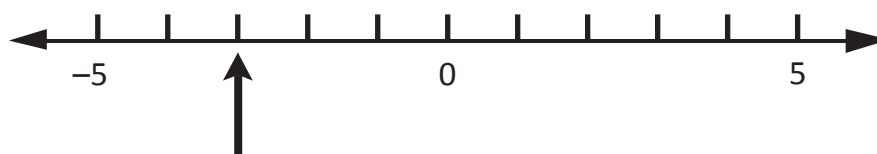


29 Charlie earned \$15 pocket money in January, \$5 pocket money in February and \$10 pocket money in March.

For these three months, the mean (average) amount of pocket money he earned was:

\$

Write your answer in the box.



30 On the number line, what is this arrow pointing to?

3



-3



10



-10



Shade one bubble.



Year 5 Numeracy Practice Test 2

31 Which fraction has the highest value?

$$\frac{6}{8}$$

$$\frac{3}{4}$$

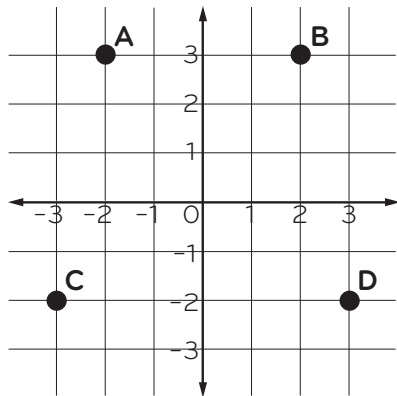
$$\frac{5}{6}$$

$$\frac{7}{12}$$

Shade one bubble.



32 Which point has the coordinates (3, -2)?



A

B

C

D

Shade one bubble.



33 $\frac{4}{20}$ is equal to:

0.1

0.2

0.4

0.5

Shade one bubble.



34 10% of \$96.00 = \$

Write your answer in the box.



35 Luke started painting a fence at 2:42 pm and finished 62 minutes later.

What time did Luke finish painting the fence?

2:44 pm

4:44 pm

3:44 pm

3:46 pm

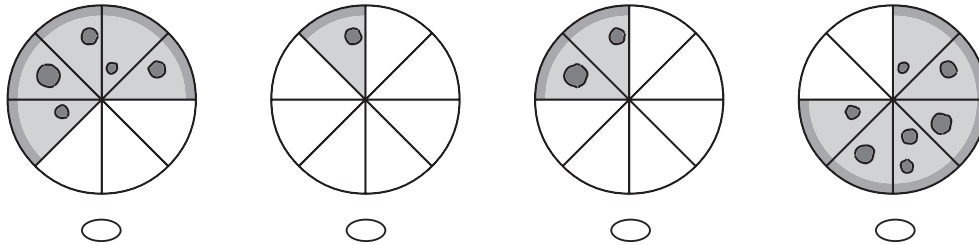
Shade one bubble.



Year 5 Numeracy Practice Test 2

- 36 Charlie and Sascha shared a pizza. Charlie ate $\frac{5}{8}$ of the pizza and Sascha ate $\frac{1}{4}$ of the pizza.

Which picture shows how much pizza was left over?

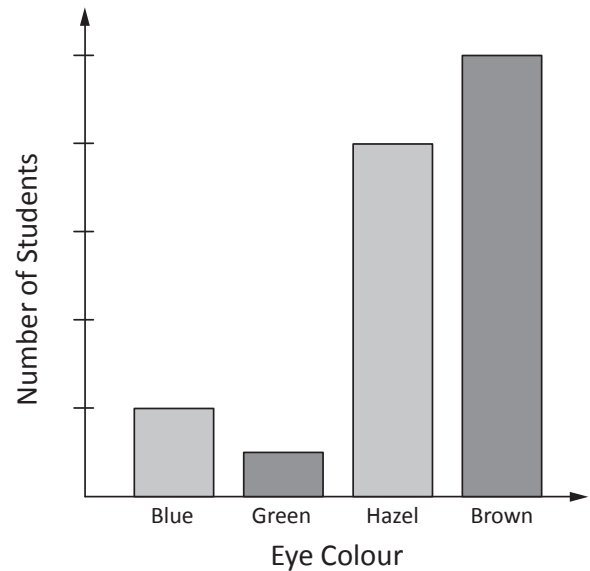


Shade one bubble.

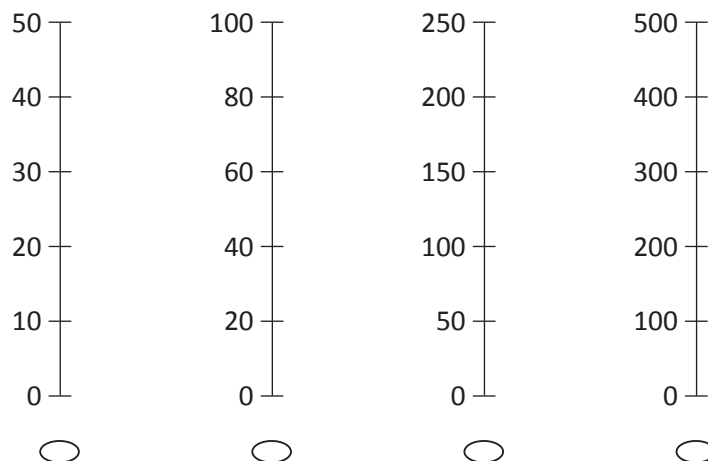


- 37 The table below was used to make an 'Eye Colour' graph.

Eye Colour	Number of Students
Blue	20
Green	10
Hazel	80
Brown	100



The scale on the 'Number of Students' axis should be:



Shade one bubble.




Year 5 Numeracy Practice Test 2

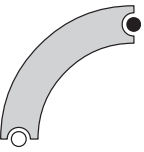
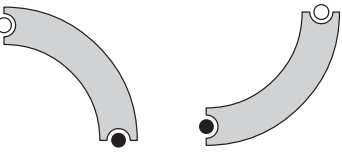
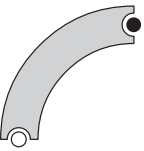
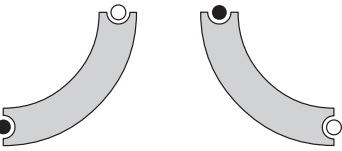
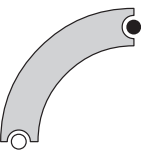
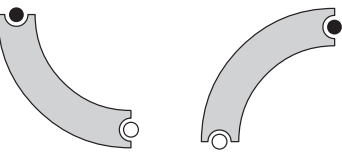
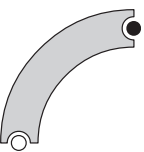
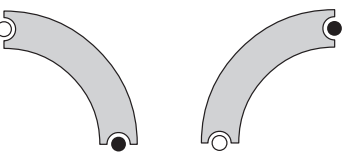
38 5, 7, 10, 14, 19, , 32, ...

The missing number for this pattern is:

- 23 24 25 26

Shade one bubble. 

39 Which shape has been rotated 90 degrees to the right twice?

<input type="radio"/>	<p>Shape 1</p> 	
<input type="radio"/>	<p>Shape 2</p> 	
<input type="radio"/>	<p>Shape 3</p> 	
<input type="radio"/>	<p>Shape 4</p> 	

Shade one bubble. 

40 Which set of shapes makes the net of a triangular prism?

- Four rectangles and two squares
 Three triangles and one square
 Four triangles
 Three rectangles and two triangles

Shade one bubble. 

END OF TEST

Working out space

